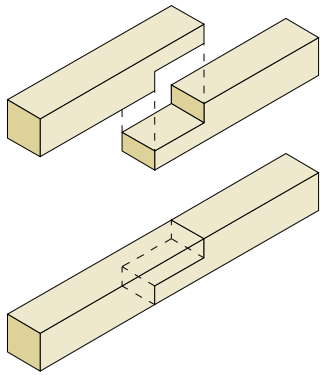
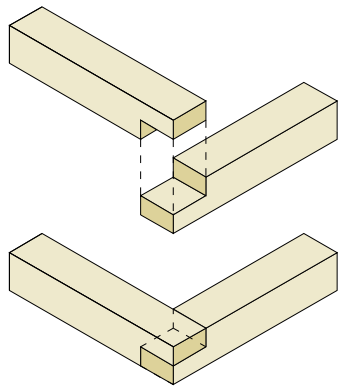


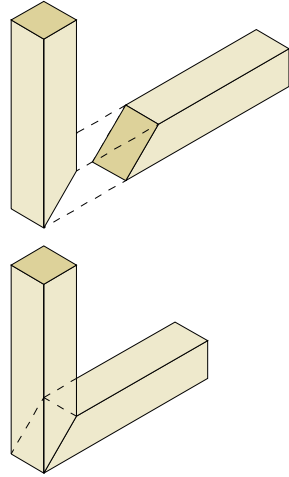
Carpentry Joints



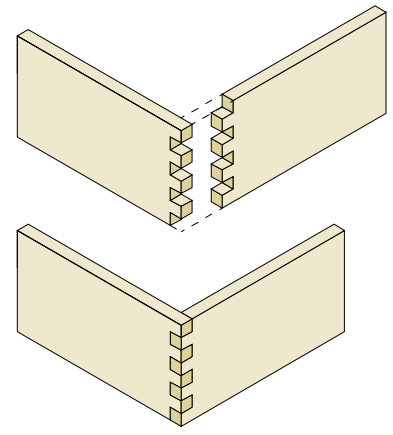
Half Lap Splice
(Straight Scarf)



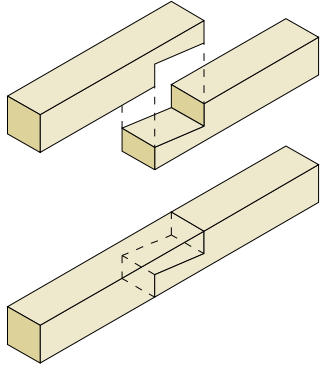
Corner Half Lap Splice
(Corner Scarf)



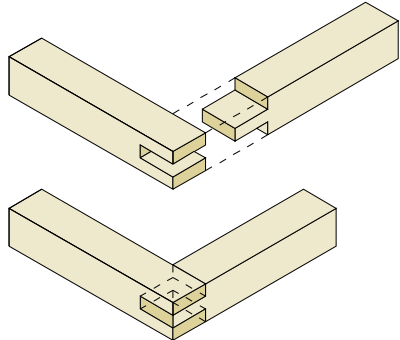
Mitre Joint



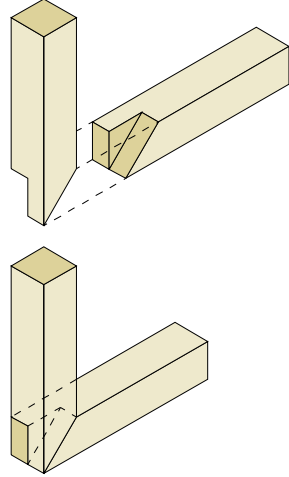
Box Joint



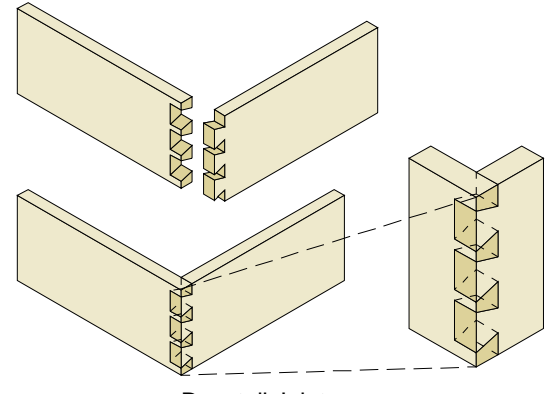
Bevel Lap Splice



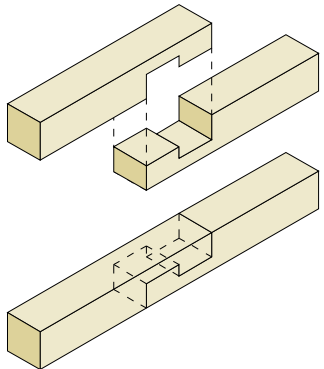
Corner Bridle



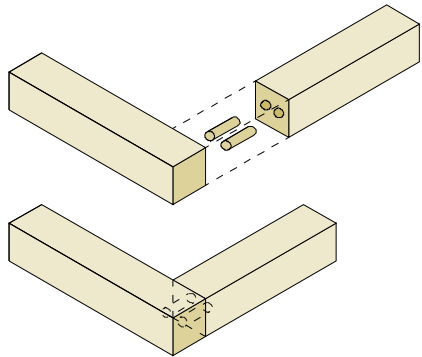
Mitred Half Lap Joint



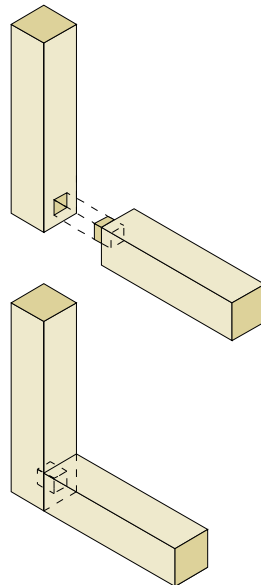
Dovetail Joint



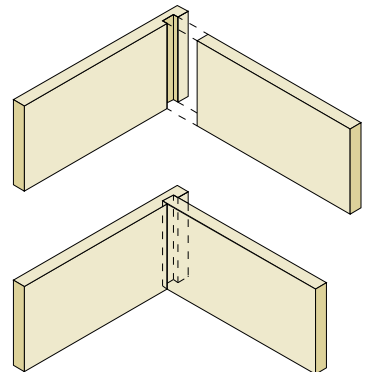
Tabled Splice Joint



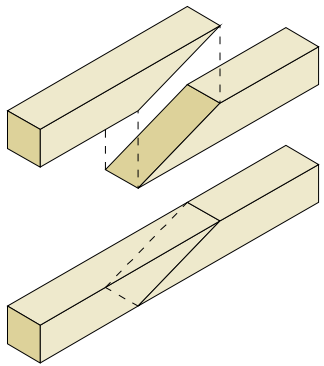
Butt Dowel Joint



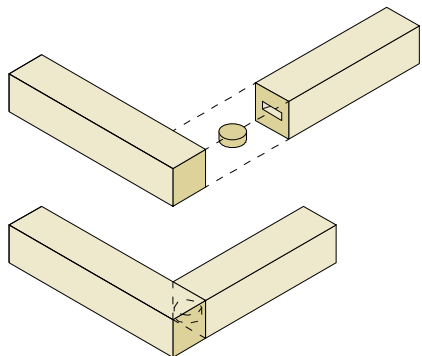
Mortise & Tenon Joint



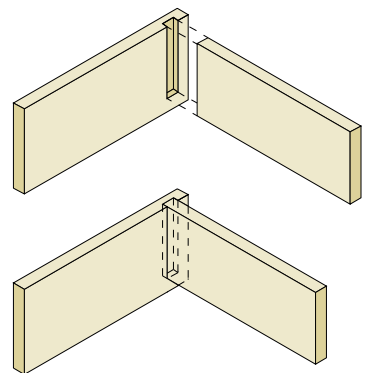
Through Dado



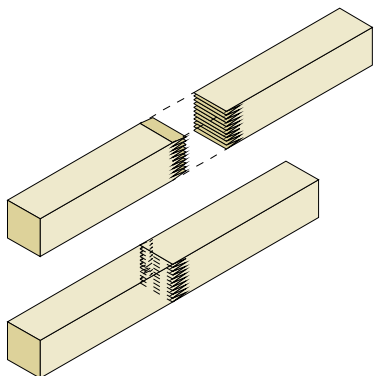
Scarf Joint



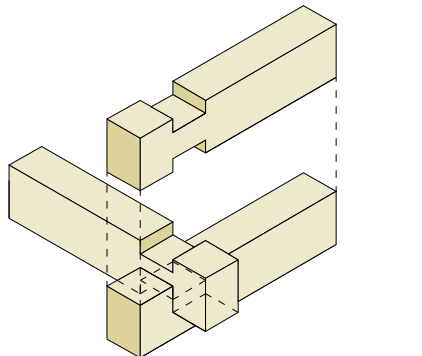
Biscuit Joint



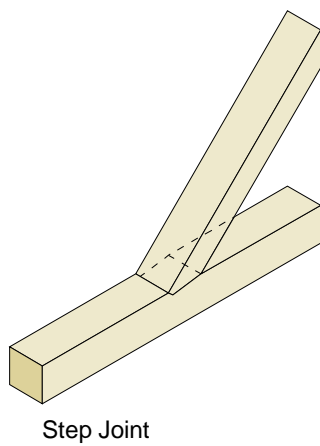
Stopped Dado



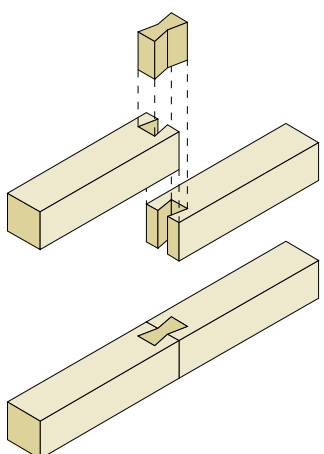
Finger Jointed



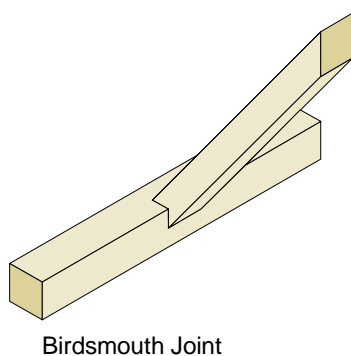
Corner Scarf with Cogging



Step Joint



Butterfly Joint



Birdsmouth Joint